

Rittal – The System.

Faster – better – everywhere.

Digital Brochure

ENCLOSURES

POWER DISTRIBUTION

CLIMATE CONTROL

IT INFRASTRUCTURE

SOFTWARE & SERVICES



Rittal – The System.

Faster – better – everywhere.



Cooling Units

Thermoelectric Cooler

Thermoelectric Cooler.....	341 BTU.....	262
----------------------------	--------------	-----

Wall-Mounted Cooling Units

TopTherm, Horizontal Format	1024 BTU	263
TopTherm.....	1024 BTU.....	264
TopTherm Blue e	1706 BTU	265
TopTherm Blue e	2559 BTU.....	266
TopTherm Blue e	3412 BTU	267
TopTherm Blue e	5118 BTU.....	269
TopTherm Blue e	6824 BTU	270
TopTherm Blue e	8530 BTU.....	271
TopTherm Blue e	13649 BTU	272
TopTherm Blue e, Slimline	5118 BTU.....	273
TopTherm Blue e, UL Type 3R.....	1024 – 1706 BTU	274
TopTherm Blue e, UL Type 3R.....	3412 – 5118 BTU.....	275
TopTherm Blue e, UL Type 3R.....	6824 – 7506 BTU	276
TopTherm Blue e, NEMA 4X.....	1706 – 5118 BTU.....	277
TopTherm Blue e, NEMA 4X.....	6824 – 8530 BTU	278

Roof-Mounted Cooling Units

TopTherm Blue e	1706 BTU	279
TopTherm Blue e	2559 BTU.....	280
TopTherm Blue e	3412 BTU	280
TopTherm Blue e	3753 – 5118 BTU.....	281
TopTherm Blue e	6824 BTU	282
TopTherm Blue e	10236 – 13649 BTU.....	283

Modular Climate Control Concept

Blue e Cooling Module.....	5118/8530 BTU	284
Section Doors for Installing Cooling Modules		285



“Blue e” Generation

Continuous energy savings with cooling units from Rittal.

Saving in energy consumption **up to 45%** with the same cooling output (in ideal conditions, 70% in comparison to a conventional Rittal TopTherm Plus cooling unit in field testing).



TopTherm Blue e Wall-Mounted Cooling Units



Climate control accessories Page 305 Therm software package Page 321

Temperature control:

- e-Comfort controller (factory setting +35°C)

Protection category IP to IEC 60 529:

- External circuit IP 34
- Internal circuit IP 54

Supply includes:

- Nano-coated condenser
- Wired ready for connection (plug-in terminal strip)
- Drilling template
- Assembly components

Approvals:

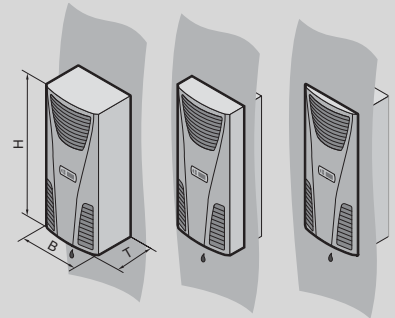
Available on the Internet

Performance diagrams:

Available on the Internet

Technical details:

Available on the Internet



Power category 1706 BTU (500 W)

Model No.	Packs of	3303.500	3303.510	3303.600	Page
Material	Stainless steel	-	-	■	
	Carbon steel	■	■	-	
Color	RAL 7035	■	■	-	
Total cooling output 50 Hz L35 L35 to DIN EN 14511 BTU (kW)		1877 (0.55)	-	1877 (0.55)	
Total cooling output 50/60 Hz L35 L35 BTU (kW)		1877/2252 (0.55/0.66)	2252 (0.66)	1877/2252 (0.55/0.66)	
Total cooling output 50/60 Hz L35 L50 BTU (kW)		1126/1365 (0.33/0.4)	1365 (0.4)	1126/1365 (0.33/0.4)	
Rated operating voltage V, ~, Hz		230, 1~, 50/60	115, 1~, 60	230, 1~, 50/60	
Height (H) inches (mm)		22 (550)	22 (550)	22 (550)	
Width (B) inches (mm)		11 (280)	11 (280)	11 (280)	
Depth (T) inches (mm)		8 (210)	8 (210)	8 (210)	
Rated current max. A		2.6/2.6	5.7	2.6/2.6	
Start-up current A		5.1/6.4	11.5	5.1/6.4	
Pre-fuse A		10	10	10	
Rated power P _{ei} 50/60 Hz L35 L35 kW		0.39/0.41	0.5	0.39/0.41	
Rated power P _{ei} 50/60 Hz L35 L50 kW		0.45/0.42	0.53	0.45/0.42	
Operating temperature range		+50°F...+131°F	+50°F...+131°F	+50°F...+131°F	
Setting range		+68°F...+131°F	+68°F...+131°F	+68°F...+131°F	
Energy efficiency ratio (EER) 50 Hz L35 L35 to DIN EN 14511		1.4	1.31	1.4	
Refrigerant oz (g)		R134a, 6.0 (170)	R134a, 6.0 (170)	R134a, 6.0 (170)	
Permissible operating pressure (p. max.) psi (bar)		406 (28)	406 (28)	406 (28)	
Air throughput of fans (unimpeded air flow), internal circuit/external circuit cfm (m ³ /h)		156/185 (265/315)	165/203 (280/345)	156/185 (265/315)	
Weight lb (kg)		37.5 (17.0)	37.5 (17.0)	37.5 (17.0)	
Accessories					
Filter Mats	3 pc(s).	3286.300	3286.300	3286.300	305
Metal Filters	1 pc(s).	3286.310	3286.310	3286.310	306
Door-Operated Switch	1 pc(s).	4127.010	4127.010	4127.010	550
Condensate Hose	1 pc(s).	3301.610	3301.610	3301.610	313

TopTherm Blue e Wall-Mounted Cooling Units

Power category 2559 BTU (750 W)

Model No.		Packs of	3361.500	3361.510	3361.600	Page
Material	Stainless steel		–	–	■	
	Carbon steel		■	■	–	
Color	RAL 7035		■	■	–	
Total cooling output 50 Hz L35 L35 to DIN EN 14511 BTU (kW)			2900 (0.85)	–	2900 (0.85)	
Total cooling output 50/60 Hz L35 L35 BTU (kW)			2900/3037 (0.85/0.89)	3037 (0.89)	2900/3037 (0.85/0.89)	
Total cooling output 50/60 Hz L35 L50 BTU (kW)			2286/2286 (0.67/0.67)	2286 (0.67)	2286/2286 (0.67/0.67)	
Rated operating voltage V, ~, Hz			230, 1~, 50/60	115, 1~, 60	230, 1~, 50/60	
Height (H) inches (mm)			22 (550)	22 (550)	22 (550)	
Width (B) inches (mm)			11 (280)	11 (280)	11 (280)	
Depth (T) inches (mm)			11 (280)	11 (280)	11 (280)	
Rated current max. A			2.7/2.7	5.3	2.7/2.7	
Start-up current A			6/9.6	12	6/9.6	
Pre-fuse A			10	10	10	
Transformer circuit-breaker A			–	–	–	
Toroidal transformer (external) Ø x D inches (mm)			–	–	–	
Rated power P _a 50/60 Hz L35 L35 kW			0.41/0.44	0.56	0.41/0.44	
Rated power P _a 50/60 Hz L35 L50 kW			0.47/0.5	0.66	0.47/0.5	
Operating temperature range			+50°F...+131°F	+50°F...+131°F	+50°F...+131°F	
Operating temperature (max.) 60 Hz			+50°F...+127°F	+50°F...+126°F	+50°F...+127°F	
Setting range			+68°F...+131°F	+68°F...+131°F	+68°F...+131°F	
Energy efficiency ratio (EER) 50 Hz L35 L35 to DIN EN 14511			2.08	1.59	2.08	
Refrigerant oz (g)			R134a, 9.9 (280)	R134a, 9.2 (260)	R134a, 9.9 (280)	
Permissible operating pressure (p. max.) psi (bar)			406 (28)	406 (28)	406 (28)	
Air throughput of fans (unimpeded air flow), internal circuit/external circuit cfm (m ³ /h)			135/324 (230/550)	135/368 (230/625)	135/324 (230/550)	
Weight lb (kg)			48.5 (22.0)	48.5 (22.0)	48.5 (22.0)	
Accessories						
Filter Mats		3 pc(s).	3286.300	3286.300	3286.300	305
Metal Filters		1 pc(s).	3286.310	3286.310	3286.310	306
Door-Operated Switch		1 pc(s).	4127.010	4127.010	4127.010	550
Condensate Hose		1 pc(s).	3301.610	3301.610	3301.610	313

Accessories



Thermoelectric Cooler

See page 262

TopTherm Blue e Wall-Mounted Cooling Units



Climate control accessories Page 305 Therm software package Page 321

Temperature control:

- e-Comfort controller (factory setting +35°C)

Protection category IP to IEC 60 529:

- External circuit IP 34
- Internal circuit IP 54

Supply includes:

- Nano-coated condenser
- Integral electric condensate evaporation
- Wired ready for connection (plug-in terminal strip)
- Drilling template
- Assembly components

Approvals:

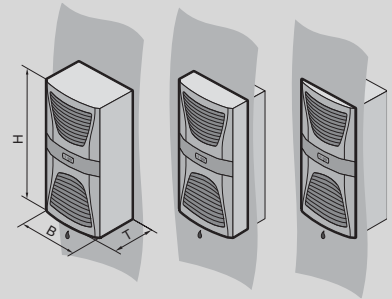
Available on the Internet

Performance diagrams:

Available on the Internet

Technical details:

Available on the Internet



Power category 3412 BTU (1000 W)

Model No.		Packs of	3304.500	3304.510	Page
Material	Stainless steel		-	-	
	Carbon steel		■	■	
Color	RAL 7035		■	■	
Total cooling output 50 Hz L35 L35 to DIN EN 14511 BTU (kW)			3753 (1.1)	3753 (1.1)	
Total cooling output 50/60 Hz L35 L35 BTU (kW)			3753/4265 (1.1/1.25)	3753/4265 (1.1/1.25)	
Total cooling output 50/60 Hz L35 L50 BTU (kW)			3105/3071 (0.91/0.9)	3105/3071 (0.91/0.9)	
Rated operating voltage V, ~, Hz			230, 1~, 50/60	115, 1~, 50/60	
Height (H) inches (mm)			37 (950)	37 (950)	
Width (B) inches (mm)			16 (400)	16 (400)	
Depth (T) inches (mm)			10 (260)	10 (260)	
Rated current max. A			5.4/5	10.6/11.1	
Start-up current A			12/14	26/28	
Pre-fuse A			10	-	
Transformer circuit-breaker A			-	11...16	
Motor circuit-breaker A			-	-	
Rated power P _{ai} 50/60 Hz L35 L35 kW			0.6/0.68	0.6/0.68	
Rated power P _{ai} 50/60 Hz L35 L50 kW			0.71/0.81	0.71/0.81	
Operating temperature range			+50°F...+131°F	+50°F...+131°F	
Setting range			+68°F...+131°F	+68°F...+131°F	
Energy efficiency ratio (EER) 50 Hz L35 L35 to DIN EN 14511			1.83	1.83	
Refrigerant oz (g)			R134a, 11.4 (325)	R134a, 17.6 (500)	
Permissible operating pressure (p. max.) psi (bar)			406 (28)	406 (28)	
Air throughput of fans (unimpeded air flow), internal circuit/external circuit cfm (m ³ /h)			353/530 (600/900)	353/530 (600/900)	
Weight lb (kg)			86.0 (39.0)	97.0 (44.0)	


Accessories					
Filter Mats	3 pc(s).	3286.400	3286.400	305	
Metal Filters	1 pc(s).	3286.410	3286.410	306	
Door-Operated Switch	1 pc(s).	4127.010	4127.010	550	

TopTherm Blue e Wall-Mounted Cooling Units

Power category 3412 BTU (1000 W)

Model No.		Packs of	3304.540	3304.600	3304.640	Page
Material	Stainless steel		–	■	■	
	Carbon steel		■	–	–	
Color	RAL 7035		■	–	–	
Total cooling output 50 Hz L35 L35 to DIN EN 14511 BTU (kW)			3753 (1.1)	3753 (1.1)	3753 (1.1)	
Total cooling output 50/60 Hz L35 L35 BTU (kW)			3753/4265 (1.1/1.25)	3753/4265 (1.1/1.25)	3753/4265 (1.1/1.25)	
Total cooling output 50/60 Hz L35 L50 BTU (kW)			3344/3071 (0.98/0.9)	3105/3071 (0.91/0.9)	3344/3071 (0.98/0.9)	
Rated operating voltage V, ~, Hz			400, 3~, 50 460, 3~, 60	230, 1~, 50/60	400, 3~, 50 460, 3~, 60	
Height (H) inches (mm)			37 (950)	37 (950)	37 (950)	
Width (B) inches (mm)			16 (400)	16 (400)	16 (400)	
Depth (T) inches (mm)			10 (260)	10 (260)	10 (260)	
Rated current max. A			2.8/2.9	5.4/5	2.8/2.4	
Start-up current A			11.5/12.7	12/14	11.5/12.7	
Pre-fuse A			–	10	–	
Transformer circuit-breaker A			–	–	–	
Motor circuit-breaker A			6.3...10	–	6.3...10	
Rated power P _{el} 50/60 Hz L35 L35 kW			0.64/0.79	0.6/0.68	0.64/0.79	
Rated power P _{el} 50/60 Hz L35 L50 kW			0.73/0.9	0.71/0.81	0.73/0.9	
Operating temperature range			+50°F...+131°F	+50°F...+131°F	+50°F...+131°F	
Setting range			+68°F...+131°F	+68°F...+131°F	+68°F...+131°F	
Energy efficiency ratio (EER) 50 Hz L35 L35 to DIN EN 14511			1.83	1.83	1.83	
Refrigerant oz (g)			R134a, 11.4 (325)	R134a, 11.4 (325)	R134a, 11.4 (325)	
Permissible operating pressure (p. max.) psi (bar)			406 (28)	406 (28)	406 (28)	
Air throughput of fans (unimpeded air flow), internal circuit/external circuit cfm (m ³ /h)			353/530 (600/900)	353/530 (600/900)	353/530 (600/900)	
Weight lb (kg)			88.2 (40.0)	86.0 (39.0)	88.2 (40.0)	
Accessories						
Filter Mats		3 pc(s).	3286.400	3286.400	3286.400	305
Metal Filters		1 pc(s).	3286.410	3286.410	3286.410	306
Door-Operated Switch		1 pc(s).	4127.010	4127.010	4127.010	550

Accessories



Spare Filter Mats


See page 307

TopTherm Blue e Wall-Mounted Cooling Units

Power category 5118 BTU (1500 W)

Model No.	Packs of	3305.500	3305.510	3305.540	3305.600	3305.640	Page
Material	Stainless steel	–	–	–	■	■	
	Carbon steel	■	■	■	–	–	
Color	RAL 7035	■	■	■	–	–	
Total cooling output 50 Hz L35 L35 to DIN EN 14511 BTU (kW)		5459 (1.6)	5459 (1.6)	5459 (1.6)	5459 (1.6)	5459 (1.6)	
Total cooling output 50/60 Hz L35 L35 BTU (kW)		5459/6005 (1.6/1.76)	5459/6005 (1.6/1.76)	5459/5494 (1.6/1.61)	5459/6005 (1.6/1.76)	5459/5494 (1.6/1.61)	
Total cooling output 50/60 Hz L35 L50 BTU (kW)		4265/4675 (1.25/1.37)	4265/4675 (1.25/1.37)	4538/4606 (1.33/1.35)	4265/4675 (1.25/1.37)	4538/4606 (1.33/1.35)	
Rated operating voltage V, ~, Hz		230, 1~, 50/60	115, 1~, 50/60	400, 3~, 50/460, 3~, 60	230, 1~, 50/60	400, 3~, 50/460, 3~, 60	
Height (H) inches (mm)		37 (950)	37 (950)	37 (950)	37 (950)	37 (950)	
Width (B) inches (mm)		16 (400)	16 (400)	16 (400)	16 (400)	16 (400)	
Depth (T) inches (mm)		10 (260)	10 (260)	10 (260)	10 (260)	10 (260)	
Rated current max. A		5.5/5.8	11.5/12.5	2.5/2.8	5.5/5.8	2.5/2.8	
Start-up current A		12/14	26/28	12.2/11.3	12/14	12.2/11.3	
Pre-fuse A		16	–	–	16	–	
Transformer circuit-breaker A		–	14...20	–	–	–	
Motor circuit-breaker A		–	–	6.3...10	–	6.3...10	
Rated power P _{ei} 50/60 Hz L35 L35 kW		0.87/0.98	0.87/0.98	0.9/1.08	0.87/0.98	0.9/1.08	
Rated power P _{ei} 50/60 Hz L35 L50 kW		1.03/1.15	1.03/1.15	1.06/1.25	1.03/1.15	1.06/1.25	
Operating temperature range		+50°F...+131°F	+50°F...+131°F	+50°F...+131°F	+50°F...+131°F	+50°F...+131°F	
Setting range		+68°F...+131°F	+68°F...+131°F	+68°F...+131°F	+68°F...+131°F	+68°F...+131°F	
Energy efficiency ratio (EER) 50 Hz L35 L35 to DIN EN 14511		1.83	1.83	1.83	1.83	1.83	
Refrigerant oz (g)		R134a, 17.6 (500)	R134a, 17.6 (500)	R134a, 17.6 (500)	R134a, 17.6 (500)	R134a, 17.6 (500)	
Permissible operating pressure (p. max.) psi (bar)		406 (28)	406 (28)	406 (28)	406 (28)	406 (28)	
Air throughput of fans (unimpeded air flow), internal circuit/external circuit cfm (m ³ /h)		353/530 (600/900)	353/530 (600/900)	353/530 (600/900)	353/530 (600/900)	353/530 (600/900)	
Weight lb (kg)		90.4 (41.0)	101.4 (46.0)	92.6 (42.0)	90.4 (41.0)	92.6 (42.0)	
Accessories							
Filter Mats	3 pc(s).	3286.400	3286.400	3286.400	3286.400	3286.400	305
Metal Filters	1 pc(s).	3286.410	3286.410	3286.410	3286.410	3286.410	306
Door-Operated Switch	1 pc(s).	4127.010	4127.010	4127.010	4127.010	4127.010	550

Accessories



Therm Software

See page 321

TopTherm Blue e Wall-Mounted Cooling Units



Climate control accessories Page 305 Therm software package Page 321

Temperature control:

- e-Comfort controller (factory setting +35°C)

Protection category IP to IEC 60 529:

- External circuit IP 34
- Internal circuit IP 54

Supply includes:

- Nano-coated condenser
- Integral electric condensate evaporation
- Wired ready for connection (plug-in terminal strip)
- Drilling template
- Assembly components

Note:

- Full installation not supported with SK 3332.XXX

Approvals:

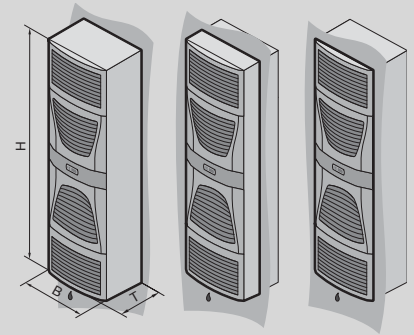
Available on the Internet

Performance diagrams:

Available on the Internet

Technical details:

Available on the Internet



Power category 6824 BTU (2000 W)

Model No.		Packs of	3328.500	3328.510	Page
Material	Stainless steel		-	-	
	Carbon steel		■	■	
Color	RAL 7035		■	■	
Total cooling output 50 Hz L35 L35 to DIN EN 14511 BTU (kW)			7507 (2.2)	7507 (2.2)	
Total cooling output 50/60 Hz L35 L35 BTU (kW)			7507/8735 (2.2/2.56)	7507/8735 (2.2/2.56)	
Total cooling output 50/60 Hz L35 L50 BTU (kW)			6210/6654 (1.82/1.95)	6210/6654 (1.82/1.95)	
Rated operating voltage V, ~, Hz			230, 1~, 50/60	115, 1~, 50/60	
Height (H) inches (mm)			62 (1580)	62 (1580)	
Width (B) inches (mm)			16 (400)	16 (400)	
Depth (T) inches (mm)			12 (295)	12 (295)	
Rated current max. A			6.1/6.6	13.4/14.8	
Start-up current A			20/22	40/38	
Pre-fuse A			16	-	
Transformer circuit-breaker A			-	18...25	
Motor circuit-breaker A			-	-	
Rated power P _a 50/60 Hz L35 L35 kW			0.92/1.03	0.92/1.03	
Rated power P _a 50/60 Hz L35 L50 kW			1.06/1.23	1.06/1.23	
Operating temperature range			+50°F...+131°F	+50°F...+131°F	
Setting range			+68°F...+131°F	+68°F...+131°F	
Energy efficiency ratio (EER) 50 Hz L35 L35 to DIN EN 14511			2.4	2.4	
Refrigerant oz (g)			R134a, 33.5 (950)	R134a, 33.5 (950)	
Permissible operating pressure (p. max.) psi (bar)			406 (28)	406 (28)	
Air throughput of fans (unimpeded air flow), internal circuit/external circuit cfm (m³/h)			577/577 (980/980)	577/577 (980/980)	
Weight lb (kg)			145.5 (66.0)	160.9 (73.0)	
Accessories					
Filter Mats		3 pc(s).	3286.400	3286.400	305
Metal Filters		1 pc(s).	3286.410	3286.410	306

TopTherm Blue e Wall-Mounted Cooling Units

Power category 6824 BTU (2000 W)

Model No.		Packs of	3328.540	3328.600	3328.640	Page
Material	Stainless steel		–	■	■	
	Carbon steel		■	–	–	
Color	RAL 7035		■	–	–	
Total cooling output 50 Hz L35 L35 to DIN EN 14511 BTU (kW)			7507 (2.2)	7507 (2.2)	7507 (2.2)	
Total cooling output 50/60 Hz L35 L35 BTU (kW)			7507/8701 (2.2/2.55)	7507/8735 (2.2/2.56)	7507/8701 (2.2/2.55)	
Total cooling output 50/60 Hz L35 L50 BTU (kW)			5630/6449 (1.65/1.89)	6210/6654 (1.82/1.95)	5630/6449 (1.65/1.89)	
Rated operating voltage V, ~, Hz			400, 3~, 50 460, 3~, 60	230, 1~, 50/60	400, 3~, 50 460, 3~, 60	
Height (H) inches (mm)			62 (1580)	62 (1580)	62 (1580)	
Width (B) inches (mm)			16 (400)	16 (400)	16 (400)	
Depth (T) inches (mm)			12 (295)	12 (295)	12 (295)	
Rated current max. A			2.8/3.3	6.1/6.6	2.8/3.3	
Start-up current A			6.8/7.8	20/22	6.8/7.8	
Pre-fuse A			–	16	–	
Transformer circuit-breaker A			–	–	–	
Motor circuit-breaker A			6.3...10	–	6.3...10	
Rated power P _{el} 50/60 Hz L35 L35 kW			0.92/1.15	0.92/1.03	0.93/1.15	
Rated power P _{el} 50/60 Hz L35 L50 kW			1.15/1.4	1.06/1.23	1.15/1.4	
Operating temperature range			+50°F...+131°F	+50°F...+131°F	+50°F...+131°F	
Setting range			+68°F...+131°F	+68°F...+131°F	+68°F...+131°F	
Energy efficiency ratio (EER) 50 Hz L35 L35 to DIN EN 14511			2.22	2.4	2.22	
Refrigerant oz (g)			R134a, 33.5 (950)	R134a, 33.5 (950)	R134a, 33.5 (950)	
Permissible operating pressure (p. max.) psi (bar)			406 (28)	406 (28)	406 (28)	
Air throughput of fans (unimpeded air flow), internal circuit/external circuit cfm (m³/h)			530/530 (900/900)	577/577 (980/980)	530/530 (900/900)	
Weight lb (kg)			147.7 (67.0)	145.5 (66.0)	147.7 (67.0)	
Accessories						
Filter Mats		3 pc(s).	3286.400	3286.400	3286.400	305
Metal Filters		1 pc(s).	3286.410	3286.410	3286.410	306

Power category 8530 BTU (2500 W)

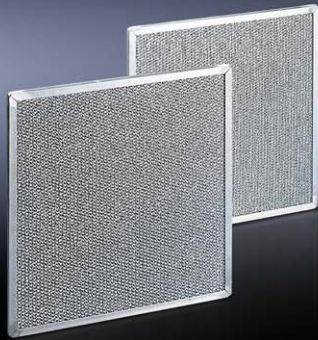
Model No.		Packs of	3329.500	3329.510	3329.540	3329.600	3329.640	Page
Material	Stainless steel		–	–	–	■	■	
	Carbon steel		■	■	■	–	–	
Color	RAL 7035		■	■	■	–	–	
Total cooling output 50 Hz L35 L35 to DIN EN 14511 BTU (kW)			8701 (2.55)	8701 (2.55)	8701 (2.55)	8701 (2.55)	8701 (2.55)	
Total cooling output 50/60 Hz L35 L35 BTU (kW)			8701/9247 (2.55/2.71)	8701/9247 (2.55/2.71)	8701/9383 (2.55/2.75)	8701/9247 (2.55/2.71)	8701/9383 (2.55/2.75)	
Total cooling output 50/60 Hz L35 L50 BTU (kW)			6449/6722 (1.89/1.97)	6449/6722 (1.89/1.97)	6654/6824 (1.95/2)	6449/6722 (1.89/1.97)	6654/6824 (1.95/2)	
Rated operating voltage V, ~, Hz			230, 1~, 50/60	115, 1~, 50/60	400, 3~, 50 460, 3~, 60	230, 1~, 50/60	400, 3~, 50 460, 3~, 60	
Height (H) inches (mm)			62 (1580)	62 (1580)	62 (1580)	62 (1580)	62 (1580)	
Width (B) inches (mm)			16 (400)	16 (400)	16 (400)	16 (400)	16 (400)	
Depth (T) inches (mm)			12 (295)	12 (295)	12 (295)	12 (295)	12 (295)	
Rated current max. A			8.2/9.3	17/22	3.7/3.8	8.2/9.3	3.7/3.8	
Start-up current A			20/24	44/42	6.8/7.6	20/24	6.8/7.6	
Pre-fuse A			16	–	–	16	–	
Transformer circuit-breaker A			–	18...25	–	–	–	
Motor circuit-breaker A			–	–	6.3...10	–	6.3...10	
Rated power P _{el} 50/60 Hz L35 L35 kW			1.21/1.35	1.21/1.35	1.2/1.4	1.21/1.35	1.2/1.4	
Rated power P _{el} 50/60 Hz L35 L50 kW			1.41/1.64	1.41/1.64	1.45/1.75	1.41/1.64	1.45/1.75	
Operating temperature range			+50°F...+131°F	+50°F...+131°F	+50°F...+131°F	+50°F...+131°F	+50°F...+131°F	
Setting range			+68°F...+131°F	+68°F...+131°F	+68°F...+131°F	+68°F...+131°F	+68°F...+131°F	
Energy efficiency ratio (EER) 50 Hz L35 L35 to DIN EN 14511			2.11	2.11	2.11	2.11	2.11	
Refrigerant oz (g)			R134a, 33.5 (950)	R134a, 33.5 (950)	R134a, 33.5 (950)	R134a, 33.5 (950)	R134a, 33.5 (950)	
Permissible operating pressure (p. max.) psi (bar)			406 (28)	406 (28)	406 (28)	406 (28)	406 (28)	
Air throughput of fans (unimpeded air flow), internal circuit/external circuit cfm (m³/h)			724/724 (1230/1230)	724/724 (1230/1230)	706/706 (1200/1200)	724/724 (1230/1230)	706/706 (1200/1200)	
Weight lb (kg)			152.1 (69.0)	167.6 (76.0)	154.3 (70.0)	152.1 (69.0)	154.3 (70.0)	
Accessories								
Filter Mats		3 pc(s).	3286.400	3286.400	3286.400	3286.400	3286.400	305
Metal Filters		1 pc(s).	3286.410	3286.410	3286.410	3286.410	3286.410	306
Door-Operated Switch		1 pc(s).	4127.010	4127.010	4127.010	4127.010	4127.010	550

TopTherm Blue e Wall-Mounted Cooling Units

Power category 13649 BTU (4000 W)

Model No.		Packs of	3332.540	3332.640	Page
Material	Stainless steel		–	■	
	Carbon steel		■	–	
Color	RAL 7035		■	–	
Total cooling output 50 Hz L35 L35 to DIN EN 14511 BTU (kW)			13478 (3.95)	13478 (3.95)	
Total cooling output 50/60 Hz L35 L35 BTU (kW)			13478/14843 (3.95/4.35)	13478/14843 (3.95/4.35)	
Total cooling output 50/60 Hz L35 L50 BTU (kW)			10305/12011 (3.02/3.52)	10305/12011 (3.02/3.52)	
Rated operating voltage V, –, Hz			400, 3–, 50 460, 3–, 60	400, 3–, 50 460, 3–, 60	
Height (H) inches (mm)			62 (1580)	62 (1580)	
Width (B) inches (mm)			20 (500)	20 (500)	
Depth (T) inches (mm)			13 (340)	13 (340)	
Rated current max. A			4.2/4.2	4.2/4.2	
Start-up current A			9.2/11	9.2/11	
Pre-fuse			–	–	
Transformer circuit-breaker			–	–	
Motor circuit-breaker A			6.3...10	6.3...10	
Rated power P _{el} 50/60 Hz L35 L35 kW			1.6/2	1.6/2	
Rated power P _{el} 50/60 Hz L35 L50 kW			1.87/2.34	1.87/2.34	
Operating temperature range			+50°F...+131°F	+50°F...+131°F	
Setting range			+68°F...+131°F	+68°F...+131°F	
Energy efficiency ratio (EER) 50 Hz L35 L35 to DIN EN 14511			2.47	2.47	
Refrigerant oz (g)			R134a, 105.6 (2995)	R134a, 105.6 (2995)	
Permissible operating pressure (p. max.) psi (bar)			406 (28)	406 (28)	
Air throughput of fans (unimpeded air flow), internal circuit/external circuit cfm (m ³ /h)			883/1177 (1500/2000)	883/1177 (1500/2000)	
Weight lb (kg)			200.6 (91.0)	200.6 (91.0)	
Accessories					
Filter Mats		3 pc(s).	3286.400	3286.400	305
Metal Filters		1 pc(s).	3286.410	3286.410	306
Door-Operated Switch		1 pc(s).	4127.010	4127.010	550

Accessories



Metal Filters

See page 306